

E98 UP

MODEL: FAEMA E98 UP Auto 2grp White
ITEM: F01-UL210VWTB999A

Date:

Project:

Location:

An elegant, versatile machine that is easy to use and maintain.

E98 UP



FEATURES



Mixed Water
(optional)



Tall Cup
(optional)



Cupwarmer
(optional)



Reliable, high-performance
Thermal System



Button pads with LEDs

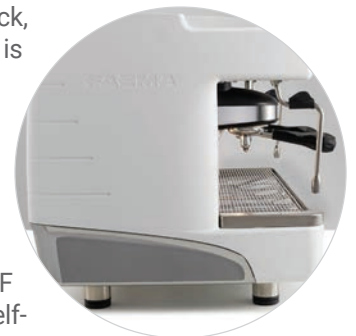


Coffee Group Lighting Kit

Ergonomic and robust, the E98UP is made of steel. Its fixed-nozzle thermosyphon system is reliable and guarantees top performance, for excellent results in the cup every time. Lights on the coffee group (optional) can be used to illuminate the work space. Available in 2- and 3-group dosed and continuous versions (and also in a Tall Cup version), the E98UP features button pads with backlit keys to ensure prompt and precise delivery, and comes in three colours (black, white and red). The wide logo strip on the front of the E98UP is ideal for adding your own personalisation.

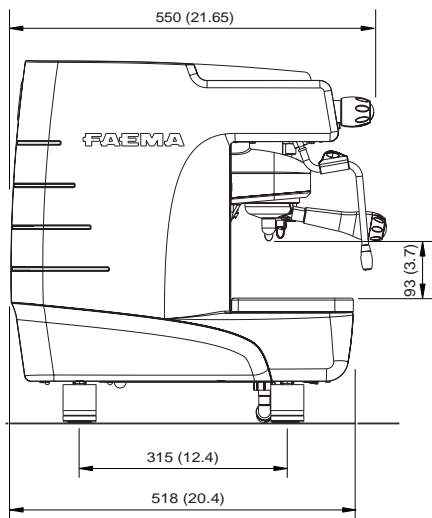
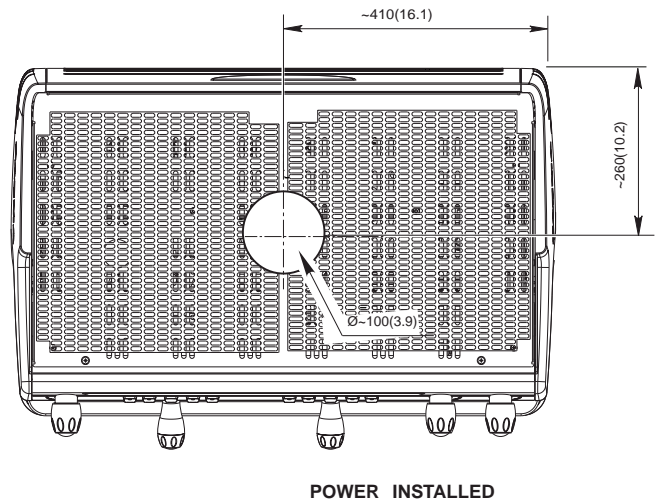
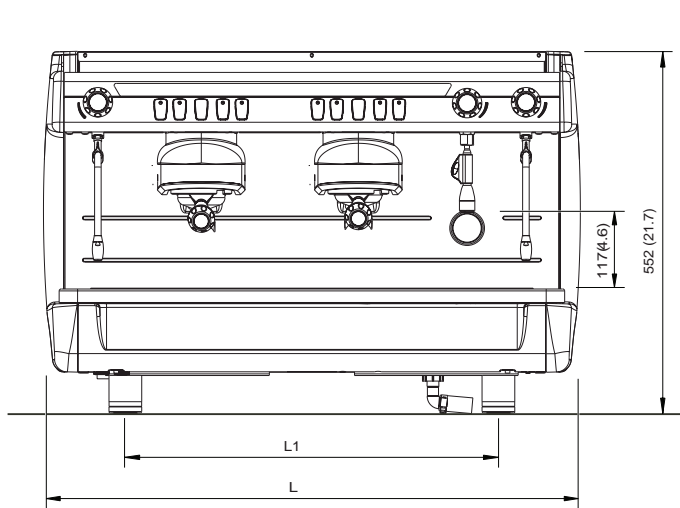
Features

Each group of the DT models has four buttons for dosed selections and one for continuous ON/OFF delivery. Each group of the C models has one button for continuous ON/OFF delivery. Thermosyphon system. Built-in volumetric pump. Self-levelling of water in boiler. Dual pressure gauge for checking the pressure of the pump and boiler.



Guarantees top performance, for excellent results in the cup every time.





	E98 UP		
	A2	A2 TALL CUP	A3
Features			
Steam wands	2	2	2
Hot water wands	1	1	1
Boiler capacity (L)	11	11	17.5
Technical Information			
Dimensions: Width x Depth x Height (mm)	820 x 518 x 552	820 x 518 x 552	1020 x 518 x 552
Weight (kg)	63	63	78
Power at 220-240V~50/60Hz (W)	4100 - 4800	4100 - 4800	5900-7000

Water & Drain Line Requirements

Cold Water Line:
3/8" dedicated cold water line with shut-off valve, compression fitting and back flow preventer.

Drain:
Open gravity drain of min. 1.25" ID size for hose, within 4 feet of machine.

Water Flow:
Minimum incoming water flow rate of 35 GPH and max line pressure 70PSI/ 5 Bar. Should flow pressure exceed 70 PSI a pressure reducer is necessary.

Access Hole:
There must be a 2 1/2" access hole underneath the machine to connect water, drain and power supply.



E98 UP

Euro-Milan Distributing reserves the right to modify the characteristics of the products illustrated in this publication without prior notice for misprints and other errors. There may be colour deviations due to the printing process.

A2- Group

Receptacle



NEMA L6-30R