



Date	_____
Project	_____
Location	_____

MODEL	ITEM CODE
ENOVA A1	AUTOMATIC
ENOVA A2	AUTOMATIC
ENOVA A3	AUTOMATIC
ENOVA S1	SEMI-AUTOMATIC
ENOVA S2	SEMI-AUTOMATIC
ENOVA S3	SEMI-AUTOMATIC



Functionality and modern style together

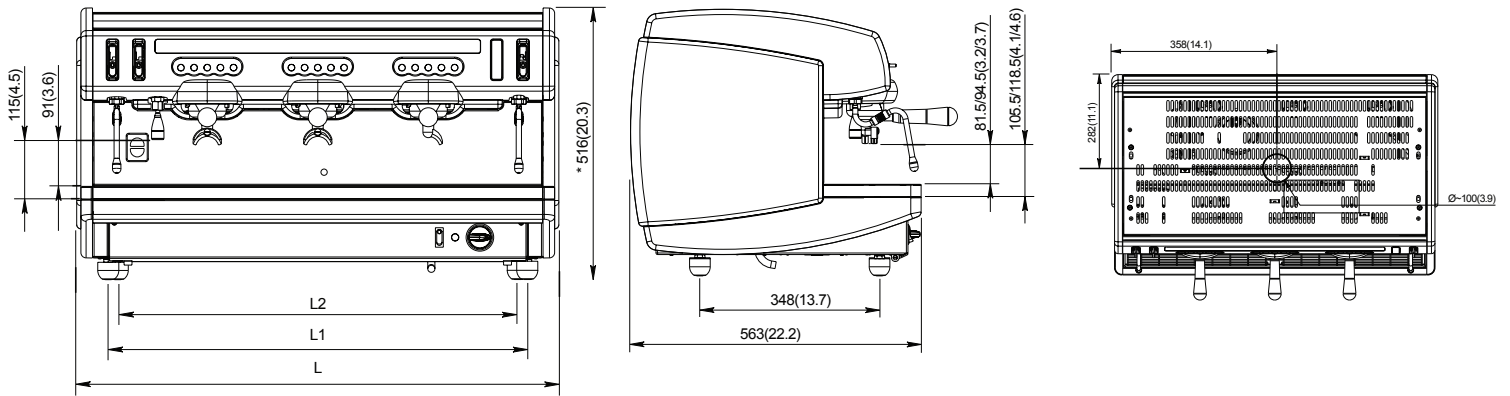
Enova combines functionality with a modern, elegant style, in line with Faema's best tradition in espresso coffee machines. Its appealing colours, soft lines and modern design make Enova a unique machine. Enova is available in the 1-, 2- and 3-groups, automatic (A) and semiautomatic (S) versions. The excellent in-the-cup result is assured by the adjustable thermal balancing system (Faema patented), thanks to which the temperature of each group can be easily set according to the type of coffee used. Furthermore, the hot water mixing system improves the water quality and allows significant energy-saving.

FEATURES

- The Auto Steam patented steam wand allows for hands-free heating or frothing of large quantities of milk.
- Each group features one continuous delivery/stop push button.
- Stainless steel hot water wand (continuous delivery).
- Automatic boiler fill.
- Pump and boiler pressure double gauge.



Technical Data



AUTOMATIC



A1



A2



A3

SEMI-AUTOMATIC



S1



S2



S3

FEATURES

Automatic

Each group features one continuous delivery/stop push button.
Stainless steel hot water wand (continuous delivery).
Automatic boiler fill.
Pump and boiler pressure double gauge.

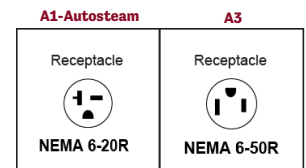
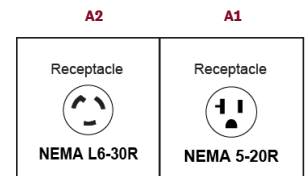
Semiautomatic

Each group features one continuous delivery/stop push button.
Stainless steel hot water wand (continuous delivery).
Automatic boiler fill.
Pump and boiler pressure double gauge.

	ENOVA			
Gruppi / Groupes	A1/S1	A2/S2	A3/S3	
Boiler Capacity	(l)	5	11	17,5
Width x Depth x Height Largeur	(mm/in)	400x563x516 15.7x22.2x20.3	716x563x516 28.2x22.2x20.	916x563x516 36.1x22.2x20.3
Weight	(kg/lb)	46 / 101,4	66 / 145,51	80 / 176,37
Supply voltage		220-240V 60Hz	220-240V 60Hz	220-240V 60Hz
Max. power at	(W)	3100-3500	4300-5000	6200-7500

Water & Drain Line Requirements

- Cold Water Line: 3/8" dedicated cold water line with shut-off valve, compression fitting and back flow preventer.
- Water Flow: Minimum incoming water flow rate of 35 GPH and maximum line pressure 70PSI/ 5 Bar. Should flow pressure exceed 70 PSI a pressure reducer is necessary.
- Drain: Open gravity drain of minimum 1.25" ID size for hose, within 4 feet of machine.
- Access Hole: There must be a 2 1/2" access hole underneath the machine to connect the water, drain and power supply.



Euro-Milan reserves the right to modify the characteristics of the products illustrated in this publication without prior notice. For misprints and other errors. There may be colour deviations due to the printing process.

